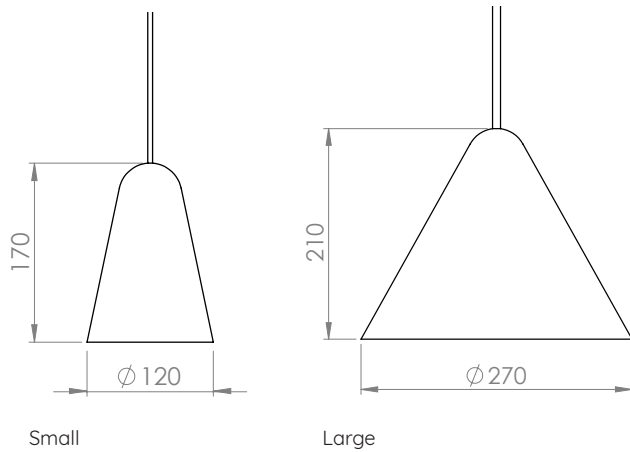


# jam



## 401 Pendant Light

### Production

Design: Andrew Carvolth (SA)  
Manufacture: Harrop Casting Technologies (SA),  
JamFactory (SA)

### Category

Lighting

### Environment

Indoor

### Dimensions

Small:  $\varnothing$  120 x H 170 mm  
Large:  $\varnothing$  270 x H 210 mm  
2m cable

### Finish



Raw

### Lamp

E27 lamp holder  
LED globe included  
Temperature: 2700k Warm White  
Lumens: 806lm

### Material

Ceiling Fixture: Mild steel, powder coat finish,  
Interpon Black Ink  
Shade: Sand cast aluminium, wax finish

### Warranty

3 years structural

### Cleaning & Care

Refer to the jam care + maintenance guide for cleaning instructions.