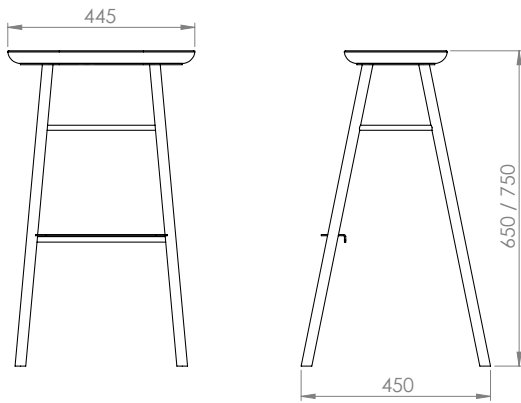


jam



Sit Bar Stool

Production

Design: Daniel Emma (SA)
Manufacture: Martin Murray (SA), Morestel Powder Coaters (SA), JamFactory (SA)

Category

Furniture

Environment

Indoor

Dimensions

H 650 x W 445 x D 450 mm
H 750 x W 445 x D 450 mm
Seat depth 245 mm

Frame Finish



Black



Yellow



Olive

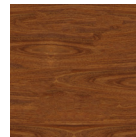


Rose



Grey

Seat Finish



Tasmanian Blackwood



Tasmanian Oak



Upholstered

Material

Frame: Steel, powder coat finish
Timber seat: Solid timber
Upholstered seat: Kvadrat Maharam house range

Made to Order

Option to customise powder coat finish.

Warranty

3 years structural

Cleaning & Care

Refer to the jam care + maintenance guide for cleaning instructions.